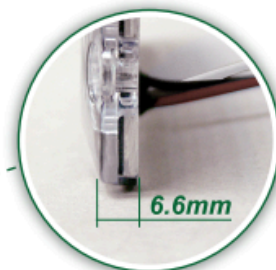


# LP3 LED PAD

3-LED LIGHT HEAD (Surface Mount)



12~24VDC



## FEATURES

- 0.26" (6.6mm) Super low-profile thickness for discreet mounting.
- Self-Adhesive backing for quick simple mounting.
- SAE Class 1 high power output.
- Multi-Voltage Input 12~24VDC.
- Built-in 12 selectable flash patterns.
- Long life LEDs rated to 100,000 hours of operation.
- Non-volatile memory recalls last flash pattern used at power up.
- Multi-units synchronization in simultaneous or alternating flash.
- Reverse polarity protection.
- Weatherproof and vibration resistant design for external or internal use.
- Aluminium base for efficient heat dissipation and maximum durability.

## SPECIFICATIONS

**Compliance:** SAE J595 Class1 (R,A,B,W), CA13 (R,B,A), ECE R10, IPX8

**LED Element:** High-power LED x 3pcs

**No. of Warning Patterns:** 12

**Operating Voltage:** 12~24VDC

**Avg. Current:** 0.27A @12VDC / 0.14A @24VDC  
(varies with flash pattern)

**Max. Current:** 0.54A @12VDC / 0.27A @24VDC

**Avg. Power:** 3.25 Watts (varies with flash pattern)

**Max. Power:** 6.5 Watts

**Wires:** WhiteVcc : 20cm (24AWG)  
Black-GND : 20cm (24AWG)  
Brown-Flash Patterns & Sync : 20cm (24AWG)

**Fuse Rating:** 1A

**Synchronization:** 15 units

**Storage Temp. (°C):** -40° ~ +75°

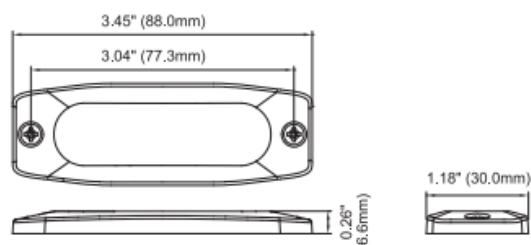
**Working Temp. (°C):** -30° ~ +65°

**LED Colour:** RED, BLUE, AMBER, WHITE, GREEN

**Lens Colour:** Clear

**Warranty:** 1 Year

## DIMENSIONS



## PART No.

**M043-0013x-00R** (SAE)

**M043-0023x-00R** (ECE R10)

Replace x for Colour:

B=Blue LED & Clear Lens

C=Amber LED & Clear Lens

G=Green LED & Clear Lens

R=Red LED & Clear Lens

W=White LED & Clear Lens

## FLASH PATTERN

FP#	Flash Patterns		
1	Random	7	Quad [SAE]
2	Steady	8	Quint [SAE]
3	Single [SAE] [CA13]	9	8 Flash [SAE]
4	Mega	10	Single-Quad
5	Double [SAE]	11	Single H/L
6	Triple [SAE]	12	Single-Triple-Quint

## ACCESSORIES:

**99-M043M00-000**

L-BRACKET SINGLE HEAD

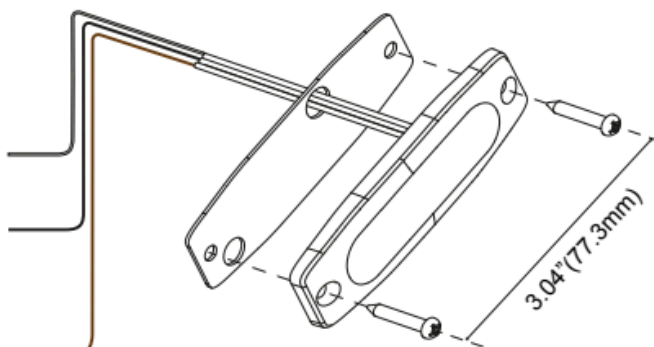


## Surface Mount

To +VDC (fuse @ 1A):....**WHITE**

To Chassis Ground:.....**BLACK**

For Synchronization and  
Flash Pattern:.....**BROWN**



### For Synchronization:

Connect **BROWN** wires of all heads together for synchronization  
(All heads should be set at the same Flash Pattern)

For Simultaneous or Alternating Flash:

1. Apply +VDC **WHITE** and **BROWN** wires simultaneously to enter Grouping mode; lighthouse will display short (single or double) flashes:
  - Single flash = Group1
  - Double flash = Group2
2. Remove **BROWN** wire from +VDC and momentarily apply to +VDC to change Groups:
  - Heads in the same Group flash together.
  - Group1 Heads alternate with Group2 heads.

For Flash Pattern, momentarily apply +VDC to **BROWN** wire:

- once for next pattern
- quick three times to reset to FP#1 (see flash pattern chart)

**NOTE:** This unit may not be factory-set at FP#1.

FP#	Flash Patterns		
1	Random	7	Quad (SAE)
2	Steady	8	Quint (SAE)
3	Single (SAE) (CA13)	9	8 Flash (SAE)
4	Mega	10	Single-Quad
5	Double (SAE)	11	Single H/L
6	Triple (SAE)	12	Single-Triple-Quint