

12~24VDC

LP4 LED PAD

4-LED LIGHT HEAD (Surface Mount)



FEATURES

- 0.26" (6.6mm) Super low-profile optic with SAE Class 1 certified output.
- ECE R10 EMC Compliance.
- Self-Adhesive backing for quick simple mounting.
- Built-in 24 selectable flash patterns in Split or Simultaneous flash.
- Long life LEDs technology rated to 100,000 hours of operation.
- Non-volatile memory recalls last flash pattern used at power up.
- Multi-units synchronization in simultaneous or alternating flash.
- Reverse polarity protection.
- Fully Weatherproof and vibration resistant design for external or internal use.
- Aluminum base for efficient heat dissipation and maximum durability.

SPECIFICATIONS

Meets: SAE J595 Class 1 (A, B, R, W);
CA Title 13(A, B, R); ECE R10; IPX8

Bulb: High-power LED x 4pcs

Warning Patterns: 23 Flash Patterns

Operating Voltage: 12~24VDC

Avg. Current: 0.33A @12VDC / 0.17A @24VDC
(varies with flash pattern)

Avg. Power: 3.9 Watts (varies with flash pattern)

Max. Current: 0.65A @12VDC / 0.33A @24VDC

Max. Power: 7.8 Watts

Wires: WhiteVcc : 20cm (24AWG)
Black-GND : 20cm (24AWG)
Brown-Flash Patterns & Sync : 20cm (24AWG)

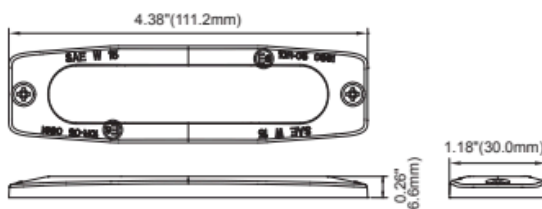
Fuse Recommended: 1A

Multi-Unit Synchronization: Over 15 units

Available in: RED , BLUE , AMBER , WHITE

Warranty: 1 year

DIMENSIONS



PART NO.

- M65-0013C-00R (SAE, AMBER) ■ M65-0023C-00R (R10, AMBER)
- M65-0013R-00R (SAE, RED) ■ M65-0023R-00R (R10, RED)
- M65-0013B-00R (SAE, BLUE) ■ M65-0023B-00R (R10, BLUE)
- M65-0013W-00R (SAE, WHITE) ■ M65-0023W-00R (R10, WHITE)

FLASH PATTERN

FP#	Flash Patterns	
1	Single (2Hz)	13 Single H/L (split)
2	Double (2Hz)	14 Single (all) (SAE)
3	Triple (2Hz)	15 Double (all) (SAE)
4	Quad (2Hz)	16 Quad (all) (SAE)
5	Random	17 Quint (all) (SAE)
6	Single (split)	18 Mega (all)
7	Double (split)	19 Ultra (all) (SAE)
8	Quad (split)	20 Single-Quad (all)
9	Quint (split)	21 Single H/L (all)
10	Mega (split)	22 Steady Half
11	Ultra (split)	23 Steady All
12	Single-Quad (split)	

*SPLIT=Left alternating Right

*ALL = Simultaneous

Surface Mount

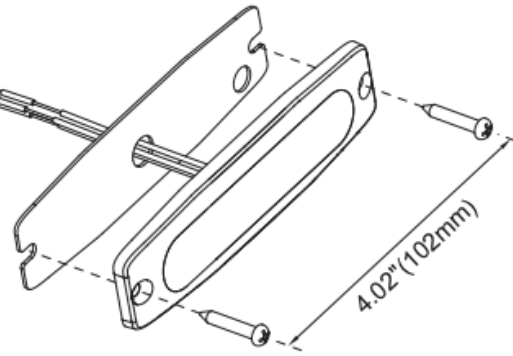
To +VDC (fuse @ 1A)..... **WHITE**

To Chassis Ground.....**BLACK**

For Synchronization:.....**BROWN**

Connect **BROWN** wires of all heads together for synchronization

(All heads should be set to the same pattern)



NOTE: To obtain optimum adhesion, the surfaces must be clean, dry and well unified.

For Simultaneous or Alternating Flash:

1. Apply +VDC to **WHITE** and **BROWN** wires simultaneously to enter Grouping mode; lighthouse will display short (single or double) flashes:
 - Single flash = Group1
 - Double flash = Group2
2. Remove **BROWN** wire from +VDC and momentarily apply to +VDC to change Groups:
 - Heads in the same Group flash together.
 - Group1 Heads alternate with Group2 Heads.

For Flash Patterns:

Momentarily apply +VDC to **BROWN** wire:

- once for next pattern
- quick three times to reset to FP#1

NOTE: This unit may not be factory set at FP#1.

FP#	Flash Patterns		
1	Single (2Hz)	13	Single H/L (split)
2	Double (2Hz)	14	Single (all) (SAE)
3	Triple (2Hz)	15	Double (all) (SAE)
4	Quad (2Hz)	16	Quad (all) (SAE)
5	Random	17	Quint (all) (SAE)
6	Single (split)	18	Mega (all)
7	Double (split)	19	Ultra (all) (SAE)
8	Quad (split)	20	Single-Quad (all)
9	Quint (split)	21	Single H/L (all)
10	Mega (split)	22	Steady Half
11	Ultra (split)	23	Steady All
12	Single-Quad (split)		

*SPLIT = Left alternating Right

*ALL=Simultaneous