

12~24VDC

LP6 LED PAD

6-LED LIGHT HEAD (Surface Mount)



FEATURES

- Super low profile for discreet mounting.
- Self-Adhesive backing for quick simple mounting.
- Multi-Voltage Input 12~24VDC.
- Built-in 23 selectable flash patterns.
- LEDs rated to 100,000 hours of operation.
- Non-volatile memory recalls last flash pattern used at power up.
- Multiple units are synchronizable and can flash simultaneously or alternately.
- Reverse polarity protection.
- Weatherproof and vibration resistant design for external or internal use.

SPECIFICATIONS

Compliance: SAE J595 Class 1, SAE J845 Class 1, CA13 Class B, ECE R10, IP68.

LED Elements: High-power LED x 6pcs

No. of Warning Patterns: 23

Operating Voltage: 12~24VDC

Avg. Current: 0.25A @12VDC / 0.125A @24VDC
(varies with flash pattern)

Max. Current: 0.5A @12VDC / 0.25A @24VDC

Avg. Power: 3 Watts (varies with flash pattern)

Max. Power: 6 Watts

Wires: White Vcc : 20cm (24AWG)

Black-GND : 20cm (24AWG)

Brown-Flash Patterns & Sync : 20cm (24AWG)

Fuse Rating: 1A

Synchronization: 15 units

LED Colour: Red, Blue, Amber, White

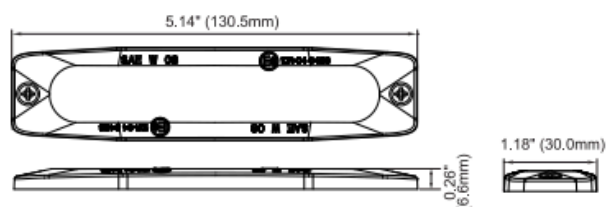
Lens Colour: Clear

Storage Temp.: -40°C to +75°C

Working Temp.: -30°C to +65°C

Warranty: 1 year

DIMENSIONS



FLASH PATTERN

FP#	Flash Patterns			
1	Single	[2Hz]	13	Single H/L (split)
2	Double	[2Hz]	14	Single [SAE]
3	Triple	[2Hz]	15	Double [SAE]
4	Quad	[2Hz]	16	Quad [SAE]
5	Random		17	Quint [SAE]
6	Single	(split)	18	Mega
7	Double	(split)	19	Ultra [SAE]
8	Quad	(split)	20	Single-Quad
9	Quint	(split)	21	Single H/L
10	Mega	(split)	22	Steady Half
11	Ultra	(split)	23	Steady All
12	Single-Quad	(split)		

*SPLIT=Left alternate Right *ALL = Simultaneous

PART NO.

■ M045-0013x-000 (SAE)

■ M045-0023x-000 (ECE R10)

x: refer to Colour

A=Amber

B=Blue

G=Green

R=Red

W=White

D=Blue/Amber

E=Amber/Green

J=Red/Amber

K=Amber/White

Q=Red/Blue

T=Blue/White

U=Red/White

ACCESSORIES

■ 99-M045M00-000

L-BRACKET SINGLE HEAD



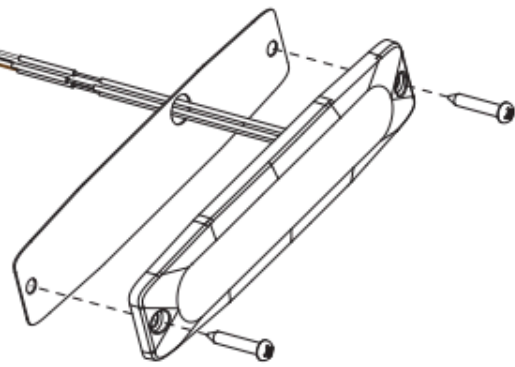
Surface Mount

To +VDC (fuse @ 1A)..... **WHITE**

To Chassis Ground..... **BLACK**

For Synchronization:..... **BROWN**

Connect **BROWN** wires of all heads together for synchronization
 (all heads must be set at the same pattern)



NOTE: For optimum adhesive effectiveness, ensure that mounting surface is clean.

For Simultaneous or Alternating Flash:

1. Apply +VDC to **WHITE** and **BROWN** wires simultaneously to enter Grouping mode; lighthouse will display short (single or double) flashes:
 - Single flash = Group1
 - Double flash = Group2
2. Remove **BROWN** wire from +VDC and momentarily apply to +VDC to change Groups:
 - Heads in the same Group flash together.
 - Group1 Heads alternate with Group2 Heads.

For Flash Patterns:

Momentarily apply +VDC to **BROWN** wire:

- once for next pattern
- quickly three times for pattern 1

NOTE: This unit may not be factory set at FP#1.

FP#	Flash Patterns		
1	Single (2Hz)	13	Single H/L (split)
2	Double (2Hz)	14	Single (all) (SAE)
3	Triple (2Hz)	15	Double (all) (SAE)
4	Quad (2Hz)	16	Quad (all) (SAE)
5	Random	17	Quint (all) (SAE)
6	Single (split)	18	Mega (all)
7	Double (split)	19	Ultra (all) (SAE)
8	Quad (split)	20	Single-Quad (all)
9	Quint (split)	21	Single H/L (all)
10	Mega (split)	22	Steady Half
11	Ultra (split)	23	Steady All
12	Single-Quad (split)		