

LP26 LED PAD

12-LED LIGHTHEAD (Surface Mount)

12~24VDC



FEATURES

- World's No.1 - Ultra low profile 6.6mm lighthouse w/ SAE & ECE R65 Class 1 approval.
- Versatile installation in Horizontal mount or Vertical mount; either way meets SAE requirement.
- Double stack design w/ built-in selectable flash patterns in simultaneous or split flash.
- Self-Adhesive backing for quick & easy installation.
- Multi-Voltage Input 12~24VDC.
- Self-contained; no external flasher required.
- Multi-units synchronization in simultaneous or alternating flash.
- Reverse polarity protection.
- Weatherproof and vibration resistant design for external or internal use.
- Solid aluminium backing for efficient heat dissipation and maximum durability.

SPECIFICATIONS

Compliance: SAE J595 Class 1, SAE J845 Class 1, ECE R65 Class 1, ECE R10 CA13, IPx7.

LED Elements: High-power LED x 12pcs

No. of Warning Patterns: 30

Operating Voltage: 12~24VDC

Avg. Current: 0.715A @12VDC / 0.357A @24VDC (varies with flash pattern)

Max. Current: 1.43A @12VDC / 0.715A @24VDC

Avg. Power: 8.6 Watt (varies with flash pattern)

Max. Power: 17.2 Watt

Wires: White - Vcc : 20cm (24AWG)
Black - GND : 20cm (24AWG)
Brown - Flash Patterns & Sync : 20cm (24AWG)

Fuse Rating: 2A

Synchronization: up to 20 units

LED Colour: Red, Blue, Amber, White

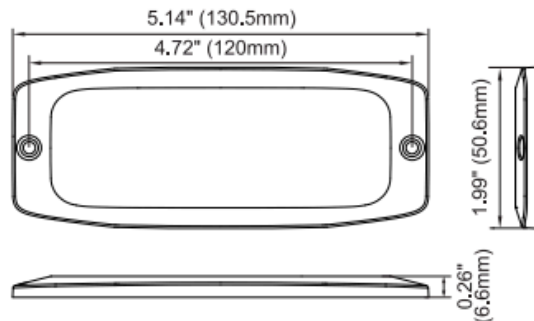
Lens Colour: Clear

Storage Temp.: -40°C to +75°C

Working Temp.: -30°C to +65°C

Warranty: 1 year

DIMENSIONS



FLASH PATTERN

FP#	Flash Pattern		
1	Double	[R65]	16 Single H/L
2	Single	[2HZ]	17 Single-Triple-Quint
3	Triple	[2HZ]	18 Half-Steady-Half-Double (Split)
4	Quad	[2HZ]	19 Single (Split)
5	Random		20 Double (Split)
6	Steady/Cruise		21 Triple (Split)
7	Single	[SAE/CA13]	22 Quad (Split)
8	Double	[SAE]	23 Quint (Split)
9	Triple	[SAE]	24 Mega (Split)
10	Quad	[SAE]	25 Giga (Split)
11	Quint	[SAE]	26 Ultra (Split)
12	Mega		27 Single-Quad (Split)
13	Giga		28 Single H/L (Split)
14	Ultra	[SAE]	29 Single-Triple-Quint (Split)
15	Single-Quad		30 Steady-Dim EF

*Actual approval will be based on the model purchased.

*Split = Top-half alternating Bottom-half.

PART NO.

- M074-0013x-000 (SAE)
- M074-0023x-000 (ECE R10)
- M074-0033x-000 (ECE R65)

x: refer to Colour

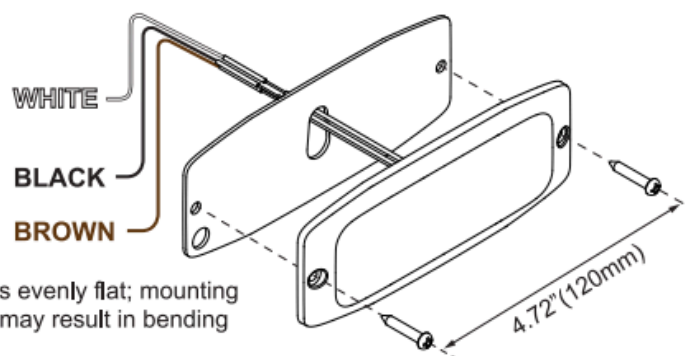
A=Amber B=Blue G=Green R=Red
W=White D=Blue/Amber E=Amber/Green J=Red/Amber
K=Amber/White Q=Red/Blue T=Blue/White U=Red/White

WIRING

To +VDC for Warning Mode: **WHITE**
(Fuse Rating @ 2A)

To -Chassis Ground: **BLACK**

For Flash Pattern & Sync: **BROWN**



CAUTION: Ensure that the mounting surface is evenly flat; mounting this lighthouse on non-flat surfaces may result in bending and/or water ingress.

NOTE: When using adhesive mount, ensure that the mounting surface is clean, dry and well unified before mounting.

OPERATION

For Flash Patterns:

Momentarily apply +VDC to **BROWN** wire:

- once for next pattern
- quick three times for FP#1

NOTE: This unit may not be factory-set at FP#1.

FP#	Flash Pattern							
1	Double	[R65]	11	Quint	[SAE]	21	Triple	(Split)
2	Single	[2HZ]	12	Mega		22	Quad	(Split)
3	Triple	[2HZ]	13	Giga		23	Quint	(Split)
4	Quad	[2HZ]	14	Ultra	[SAE]	24	Mega	(Split)
5	Random		15	Single-Quad		25	Giga	(Split)
6	Steady/Cruise		16	Single H/L		26	Ultra	(Split)
7	Single	[SAE/CA13]	17	Single-Triple-Quint		27	Single-Quad	(Split)
8	Double	[SAE]	18	Half-Steady-Half-Double	(Split)	28	Single H/L	(Split)
9	Triple	[SAE]	19	Single	(Split)	29	Single-Triple-Quint	(Split)
10	Quad	[SAE]	20	Double	(Split)	30	Steady-Dim EF	

* Actual approval will be based on the model purchased.

*Split = Top-half alternating Bottom-half.

For Simultaneous or Alternating Synchronization:

- Apply +VDC to **WHITE** and **BROWN** wires simultaneously to enter *Grouping mode*; the lighthouse will display short (single or double) flashes:
 - Single flash = Group1
 - Double flash = Group2
- Remove **BROWN** wire from +VDC and momentarily apply to +VDC to change Group:
 - Lighthouses in the same Group will flash together.
 - Group1 lighthouses and Group2 lighthouses will flash alternatingly.
- Save and exit *Grouping Mode* by disconnecting all power
- Connect **BROWN** wires of multiple lighthouses together for synchronization; all lighthouses should be set to the same Flash Pattern.