

XT6^{XTREME THIN}

6 LED LIGHTHEAD (Surface Mount)



FEATURES

- New Generation Xtreme optic for wide angle visual and classic aesthetics.
- SAE and ECE R65 certified high power output.
- ECE R10 EMC Compliance.
- 0.39" (10mm) Super low-profile thickness.
- Long life LEDs rated to 100,000 hours of operation.
- Non-volatile memory recalls last flash pattern used at power up.
- Multi-units synchronization in simultaneous or alternating flash.
- Reverse polarity protection.
- Weatherproof and vibration resistant design for internal or external use.
- Solid aluminum base for efficient heat dissipation.

SPECIFICATIONS

Meets: ECE R65 (XA1, XB1)
ECE R10
SAE J595 Class 1
CA Title 13 (R, B)
IPX8

Bulb: High-power LED x 6pcs

Warning Patterns: 16 Flash Patterns

Operating Voltage: 12-24VDC

Avg. Current: 0.44A @12VDC / 0.22A @24VDC
(varies with flash pattern)

Avg. Power: 5.3 Watts (varies with flash pattern)

Max. Current: 0.88A @12VDC / 0.44A @24VDC

Max. Power: 10.6 Watts

Wires: Red-Vcc : 25cm (20AWG)

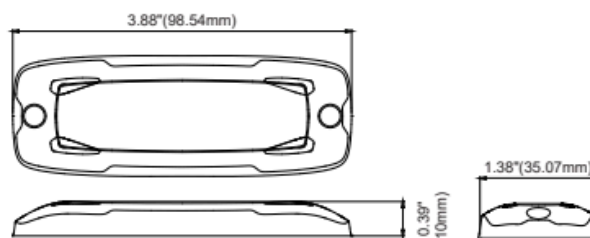
Black-GND : 25cm (20AWG)

Yellow-Sync & Functions : 25cm (20AWG)

Fuse Recommended: 1A

Available in: RED , BLUE , AMBER , WHITE

DIMENSIONS



PART NO.

- 0212009 (R65 BLUE)
- 0212008 (R65 AMBER)
- 0212010 (SAE RED)
- 0212011 (SAE WHITE)

FLASH PATTERN

Flash Patterns			
1	Double(R65)	9	Double (SAE)
2	Single(2Hz)	10	Triple (SAE)
3	Triple(2Hz)	11	Quad (SAE)
4	Quad(2Hz)	12	Quint (SAE)
5	Random	13	Ultra (SAE)
6	Steady	14	Single-Quad
7	Single(SAE) (CA13)	15	Single H/L
8	Mega	16	Singe-Triple-Quint

FLANGE KIT

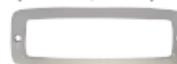
99.M60X2.000
(FLANGE, CHROME)



99.M60X1.000
(FLANGE, BLACK)



99.M60X0.000
(FLANGE, WHITE)



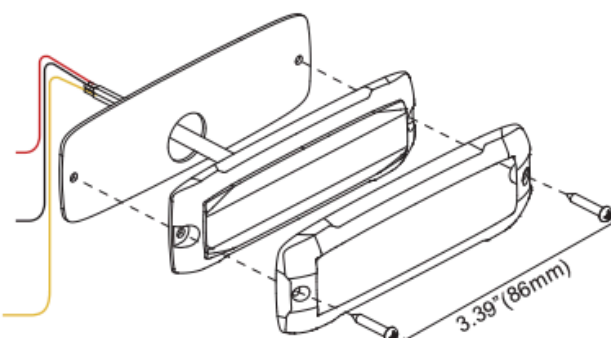
6LED SINGLE COLOUR LIGHTHEAD

Surface Mount

To + VDC (fuse @ 3A):.....**RED**

To Chassis Ground:.....**BLACK**

For Synchronization and
Flash Pattern:.....**YELLOW**



For Synchronization:

Connect **YELLOW** wires of all heads together for synchronization
(All heads should be set at the same Flash Pattern)

For Simultaneous or Alternating Flash:

1. Apply +VDC to **RED** and **YELLOW** wires simultaneously to enter Grouping mode;
lighthead will display short (single or double) flashes:
 - Single flash = Group1
 - Double flash = Group2
2. Remove **YELLOW** wire from +VDC and momentarily apply to +VDC to change Groups:
 - Heads in the same Group flash together.
 - Group1 Heads alternate with Group2 heads.

For Flash Pattern, momentarily
apply +VDC to **YELLOW** wire:

- once for next pattern
- quick three times to reset to FP#1
(see flash pattern chart)

Flash Patterns			
1	Double(R65)	9	Double (SAE)
2	Single(2Hz)	10	Triple (SAE)
3	Triple(2Hz)	11	Quad (SAE)
4	Quad(2Hz)	12	Quint (SAE)
5	Random	13	Ultra (SAE)
6	Steady	14	Single-Quad
7	Single(SAE)(CA13)	15	Single H/L
8	Mega	16	Singe-Triple-Quint