

XT12 XTREME THIN

12-LED Warning Lighthouse SINGLE/DUAL COLOUR (Surface or Pedestal Mount)



FEATURES

- New Generation Xtreme optic for wide angle visual and classic aesthetics.
- 12LED Single colour or 6+6LED Dual colour option.
- 3 Independently controlled warning memories for 3 pre-selected flash pattern and colour mode.
- Steady-burn pattern for scene / flood light.
- SAE and ECE R65 certified high power output.
- ECE R10 EMC Compliance.
- Available in Surface or Pedestal Mount.
- 0,39" (10mm) Super low-profile thickness.
- Long life LEDs rated to 100,000 hours of operation.
- Non-volatile memory recalls last flash pattern used at power up.
- Multi-units synchronization in simultaneous or alternating flash.
- Reverse polarity protection.
- Weatherproof and vibration resistant design for internal or external use.
- Aluminium base for efficient heat dissipation.
- Clear or Colour Lens options.

SPECIFICATIONS

Compliance:

- SAE J595 Class 1 ; CA13 Class B (R/A/B) ;
- ECE R65 (XA1, XB1, XR1) ;
- ECE R65 (XA2, XB2, XR2) * 12LED Single Colour only ;
- ECE R10 ; IPX8

LED Element: High-power LED x 12pcs

No. of Warning Patterns: 16 or 28 (depends on model)

Operating Voltage: 12-24VDC

Average Current: 0,8A @12VDC / 0,4A @24VDC
(varies with flash pattern)

Max. Current: 1,6A @12VDC / 0,8A @24VDC

Average Power: 8,6 Watts (varies with flash pattern)

Max. Power: 19,2 Watts

- Wires:** Red-Vcc : 26,5cm (20AWG)
Black-GND : 26,5cm (20AWG)
White-Low Power : 26,5cm (20AWG)
Yellow-Sync & Functions : 26,5cm (20AWG)

Fuse Rating: 2A

LED Colour: RED, BLUE, AMBER, WHITE

Lens Colour: CLEAR, RED, BLUE

FLANGE KIT

99-M057X02-000
(FLANGE, CHROME)



99-M057X01-000
(FLANGE, BLACK)



99-M057X00-000
(FLANGE, WHITE)

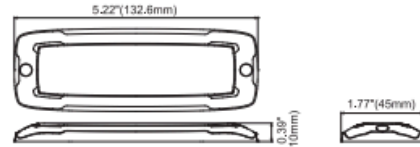


12-24VDC

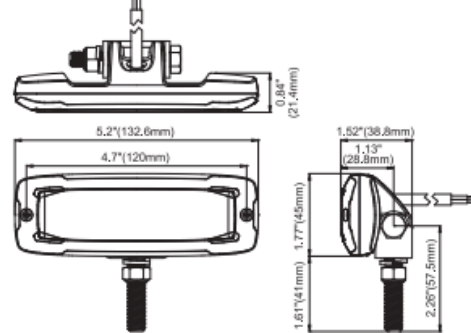


DIMENSIONS

Surface Mount



Pedestal Mount



PART NO.

- **M057-00x3y-00R**.....Surface Mount, SAE
- **M057-10x3y-00R**.....Pedestal Mount, SAE
- **M057-01x3y-00R**.....Surface Mount, ECE R65 Class 1 (Dual Colour)
- **M057-02x3y-00R**.....Surface Mount, ECE R65 Class 2 (Single Colour)
- **M057-11x3y-00R**.....Pedestal Mount, ECE R65 Class 1 (Dual Colour)
- **M057-12x3y-00R**.....Pedestal Mount, ECE R65 Class 2 (Single Colour)

x: refer to Flange Kit

- 0 = Black ■ 1 = White ■ 2 = Chrome

y: refer to Colour

- C = Amber-LED & Clear-Lens
- B = Blue-LED & Clear-Lens
- R = Red-LED & Clear-Lens
- W = White-LED & Clear-Lens
- 2 = Blue-LED & Blue-Lens
- 4 = Red-LED & Red Lens
- K = Amber/White-LED & Clear-Lens
- D = Blue/Amber-LED & Clear-Lens
- T = Blue/White-LED & Clear-Lens
- J = Red/Amber-LED & Clear-Lens
- Q = Red/Blue-LED & Clear-Lens
- U = Red/White-LED & Clear-Lens

FLASH PATTERN

Flash Patterns			
1	Double	[R65]*	15 Single-Quad
2	Single	[2HZ]	16 Single H/L
3	Triple	[2HZ]	17 Single-Triple-Quint
4	Quad	[2HZ]	18 Steady / Scene
5	Random		19 Single-Single
6	Steady H/L		20 Double Double
7	Single	[SAE/CA13]	21 Triple-Triple Mid
8	Double	[SAE]	22 Triple-Triple Fast
9	Triple	[SAE]	23 Quint-Triple
10	Quad	[SAE]	24 7-1 Flash
11	Quint	[SAE]	25 7-1 Flash**
12	Mega		26 Quad-Single
13	Giga		27 Quad-Single**
14	Ultra	[SAE]	28 Quint-Quint

NOTE: FP#19-28 will always operate in dual colour.

* Actual approval will be based on the model ordered.

** Inverted colour mode.

DUAL COLOUR

6+6 LED DUAL COLOUR LIGHTHEAD

WIRING

To Chassis Ground:..... **BLACK**

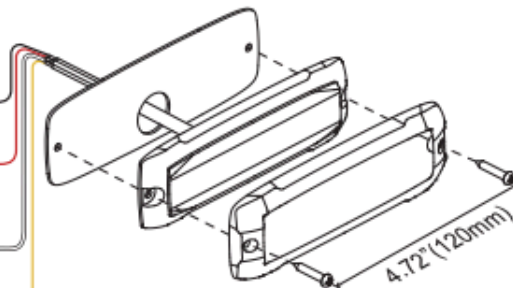
To+VDC for Warning Mode ❶ (fuse @ 2A):..... **RED**
Default Colour Mode - Colour 1

To+VDC for Warning Mode ❷ (fuse @ 2A)..... **WHITE**
Default Colour Mode - Colour 2

(To+VDC for Warning Mode ❸):..... **RED+WHITE**
Default Colour Mode - Colour 1 alt. 2

For Synchronization and Flash Pattern:... **YELLOW**

Connect **YELLOW** wires of all lightheades together for synchronization.
(All lightheades should be set to the same Flash Pattern)



OPERATION

For Flash Pattern Selection:

Each Warning Memory may select and save one flash pattern. While activated a warning mode, momentarily apply **YELLOW** wire to **+VDC**:

- once for next pattern
- quick three times to FP#1
(refer to Flash Pattern Chart)

For Simultaneous or Alternating Synchronization:

1. Enter **SETTING MODE** by powering up with **YELLOW** and **RED** (or **WHITE** or **RED+WHITE**) wires simultaneously; the lighthead will display short flashes (single or double) :
 - Single flash = Group1
 - Double flash = Group2
2. Remove **YELLOW** wire from **+VDC** then momentarily apply to **+VDC** again for more than 3 seconds to change Groups:
 - Lightheades of the same Group will flash together.
 - Lightheades of the different Group will flash alternately.
3. Save and exit **SETTING MODE** by disconnecting all power.

NOTE: All warning memories share the same Group setting.

For Colour Mode Setting:

1. Each Warning Memory may select and save one Colour Mode. Enter **SETTING MODE** by powering up with **YELLOW** and **RED** (or **WHITE** or **RED+WHITE**) wires simultaneously; the lighthead will display its current Colour Mode:
 - Singel Colour flashing Colour 1 = Colour 1
 - Singel Colour flashing Colour 2 = Colour 2
 - Dual Colour flashing Colour 1 = Colour 1 alt. 2
 - Dual Colour flashing Colour 2 = Colour 2 alt. 1
2. Remove **YELLOW** wire from **+VDC** then momentarily apply to **+VDC** again for less than 3 seconds to change Colour Mode.
3. Save and exit **SETTING MODE** by disconnecting all power.

Flash Pattern (Dual Colour)		
1	Double	[R65]*
2	Single	[2HZ]
3	Triple	[2HZ]
4	Quad	[2HZ]
5	Random	
6	Steady (EF)**	
7	Single	[SAE][CA13]
8	Double	[SAE]
9	Triple	[SAE]
10	Quad	[SAE]
11	Quint	[SAE]
12	Mega	
13	Giga	
14	Ultra	[SAE]
15	Single-Quad	
16	Single H/L	
17	Single-Triple-Quint	
18	Steady (Scene)	
19	Single-Single	
20	Double-Double	
21	Triple-Triple Mid	
22	Triple-Triple Fast	
23	Quint-Triple	
24	7-1 Flash	
25	7-1 Flash#	
26	Quad-Single	
27	Quad-Single#	
28	Quint-Quint	

FP#19~28 will always operate in dual colour.
* Actual approval will be based on the model ordered.

** for External Flasher use only

Inverted colour mode.

SINGLE COLOUR

12LED SINGLE COLOUR LIGHTHEAD

WIRING

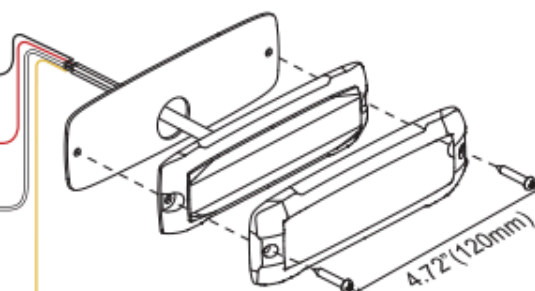
To Chassis Ground:..... **BLACK**

To +VDC for Warning Mode (fuse @ 2A):..... **RED**
In High Power

For Low Power Operation:..... **WHITE**
Activate dimming function by continuously applying +VDC to **WHITE** wire while **RED** wire is activate.

For Synchronization and Flash Pattern:.... **YELLOW**

Connect **YELLOW** wires of all lightheads together for synchronization. (All lightheads should be set to the same Flash Pattern)



OPERATION

For Flash Pattern Selection:

Each Warning Memory may select and save one flash pattern. While activated a warning mode, momentarily apply **YELLOW** wire to +VDC:

- once for next pattern
- quick three times to FP#1 (refer to Flash Pattern Chart)

For Simultaneous or Alternating Synchronization:

1. Apply +VDC to **RED** and **YELLOW** wires simultaneously to enter *GROUPING MODE*; lighthead will display short (single or double) flashes:
 - Single flash = Group1
 - Double flash = Group2
2. Remove **YELLOW** wire from +VDC and momentarily apply to +VDC to again change Groups:
 - Lightheads in the same Group flash together.
 - Group1 heads alternate with Group2 heads.
3. Save and Exit *GROUPING MODE* by disconnecting all power.

Flash Patterns (Single Colour)		
1	Double	[R65]*
2	Single	[2HZ]
3	Triple	[2HZ]
4	Quad	[2HZ]
5	Random	
6	Steady	
7	Single	[SAE][CA13]
8	Mega	
9	Double	[SAE]
10	Triple	[SAE]
11	Quad	[SAE]
12	Quint	[SAE]
13	Ultra	[SAE]
14	Single-Quad	
15	Single H/L	
16	Singe-Triple-Quint	

* Actual approval will be based on the model ordered.